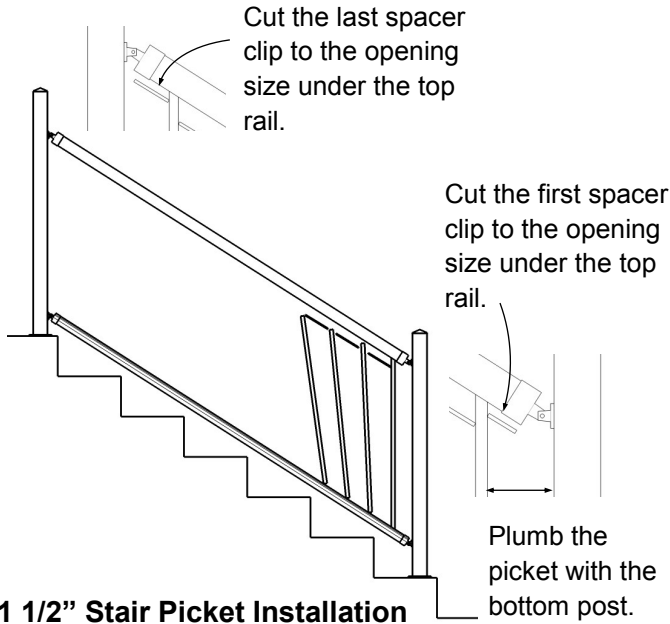
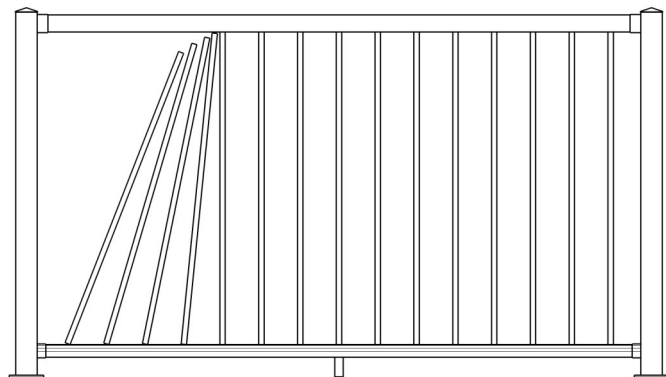
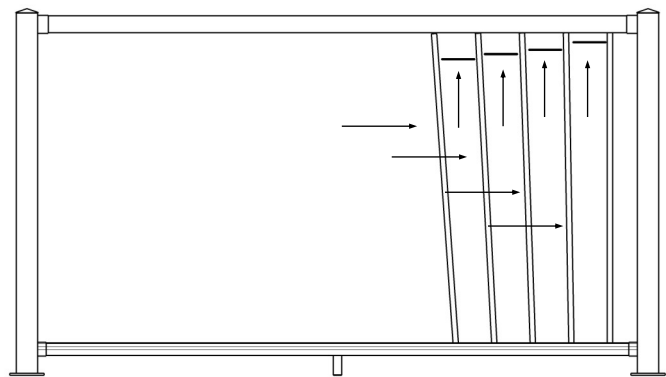
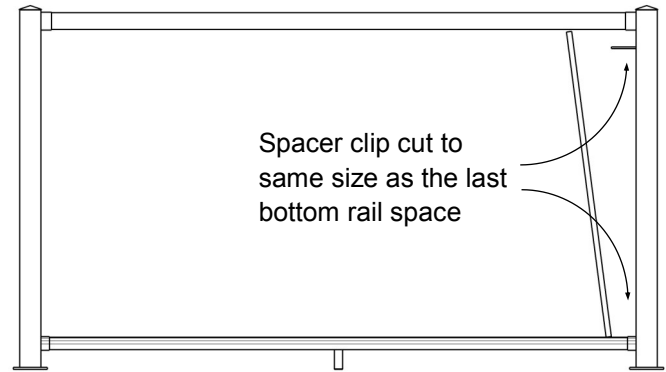


Straight

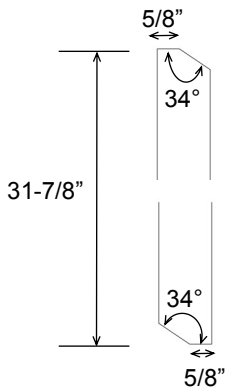
Cut and install the first spacer clip the same size as the space between the last hole in the bottom rail and the post. Start installing pickets, putting the picket into the bottom rail and plumbing it, then inserting a spacer clip into the top rail. Continue until there are 4 empty spaces. Insert those pickets as a group, then spread them out and secure with spacer clips, cutting the last clip to length.

Stair

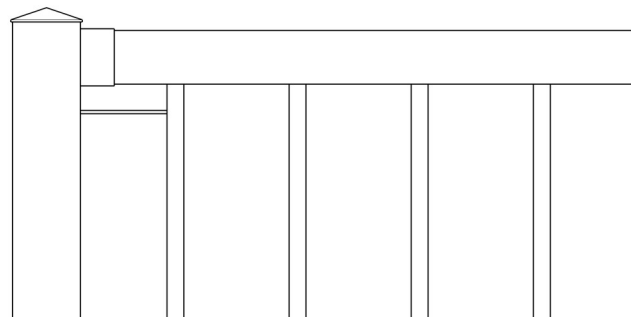
Starting at the bottom of the stairs, install one picket so it is plumb with the bottom post. Measure the opening size for the first spacer clip, cut it and install. Continue adding a picket then a spacer clip until you've installed the last picket. Measure the last opening then measure, cut and install the last spacer clip.



1 1/2" Stair Picket Installation



When installing 1 1/2" pickets on stairs, the corners need to be cut so the picket fits completely into the top and bottom rail channels. Failure to do so will result in the corners of the pickets protruding from the bottom and top rails.



When Picket Railing is being used as a guardrail, do not exceed the 96" center to center spacing as this is outside our engineering spec and is at the end users own risk and could result in a failed inspection. It is the sole responsibility of the home owner/contractor to comply with local building codes.