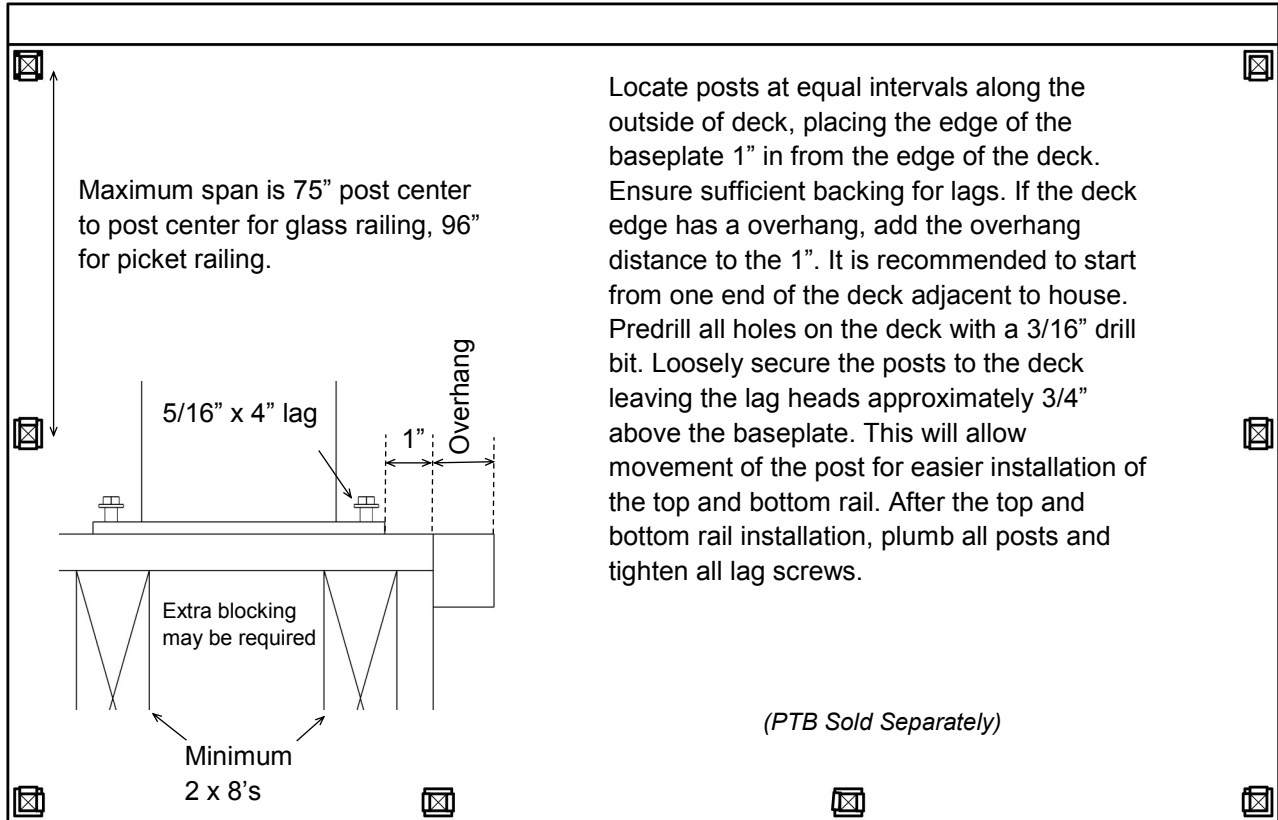
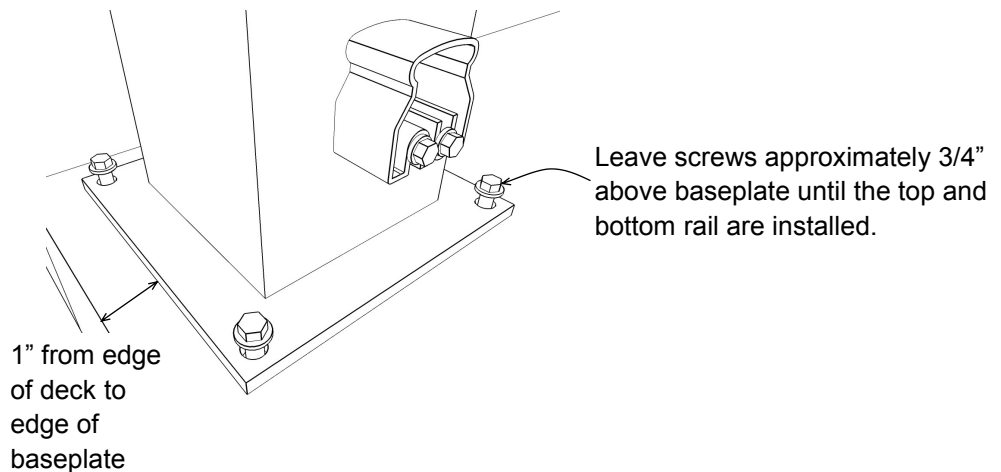


Residential installation only. Commercial applications may differ.
Always check with local building codes prior to purchasing and installing this product.



Locate posts at equal intervals along the outside of deck, placing the edge of the baseplate 1" in from the edge of the deck. Ensure sufficient backing for lags. If the deck edge has a overhang, add the overhang distance to the 1". It is recommended to start from one end of the deck adjacent to house. Predrill all holes on the deck with a 3/16" drill bit. Loosely secure the posts to the deck leaving the lag heads approximately 3/4" above the baseplate. This will allow movement of the post for easier installation of the top and bottom rail. After the top and bottom rail installation, plumb all posts and tighten all lag screws.



9685 Agur St. Summerland B.C. V0H 1Z2

Phone: 778-516-6250 Fax: 778-516-6003 Toll Free 1-888-493-1103