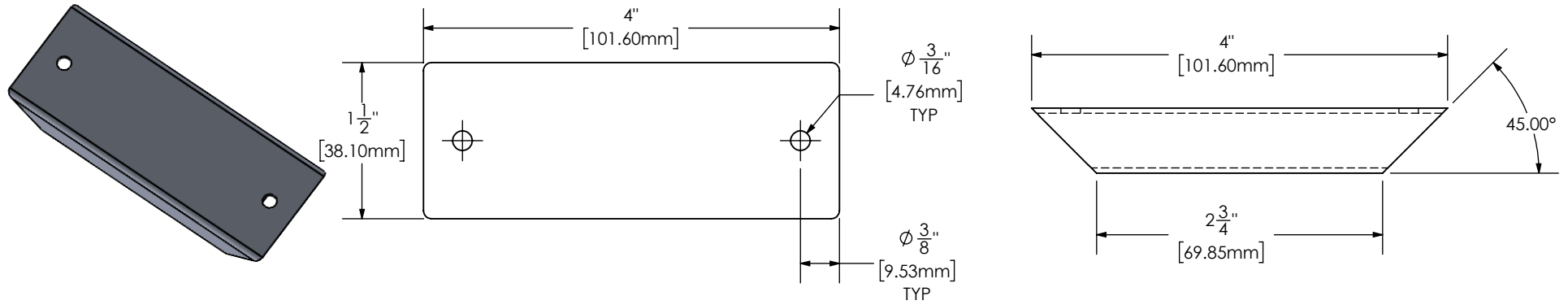
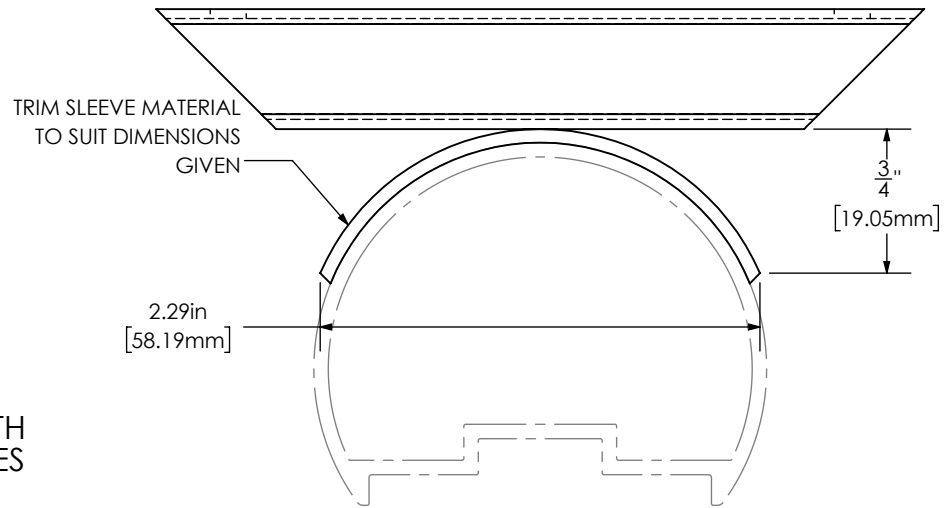
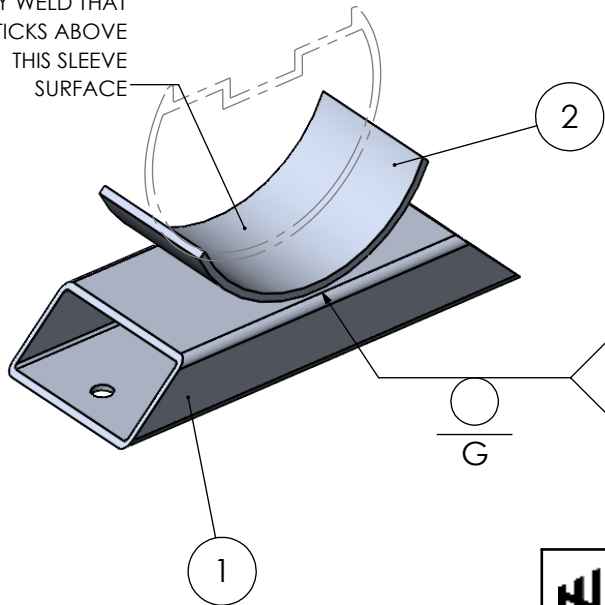


ITEM NO.	Eng No.	Part No.	DESCRIPTION	QTY.
1	2075P	1400-PIC-40445	1/2" Picket Material 4" (DRSK)	1
2	1016P	1604-SLE-20027	Top Rail Sleeve Round cut (DRSK)	1



GRIND AWAY ANY WELD THAT STICKS ABOVE THIS SLEEVE SURFACE



SCALE 1:1

CenDek
Railings Ltd.

PROPRIETARY AND CONFIDENTIAL

THE INFORMATION CONTAINED IN THIS DRAWING IS THE SOLE PROPERTY OF CENDEK RAILINGS LTD. ANY REPRODUCTION IN PART OR AS A WHOLE WITHOUT THE WRITTEN PERMISSION OF CENDEK RAILINGS LTD IS PROHIBITED.

DRAWN BY	Admin
CREATED	5/13/2020
MATERIAL	
DIE NO.	
ALL DIMENSION IN INCHES/mm	

DESCRIPTION
Drink Rail Support (DRSK)

Part No. 4200-MOU-20700	Eng No. 0271A
Weight 0.09 lbs	SHEET 1 OF 1 Rev 2

REVISIONS

REV.	DESCRIPTION	DATE	INITIALS