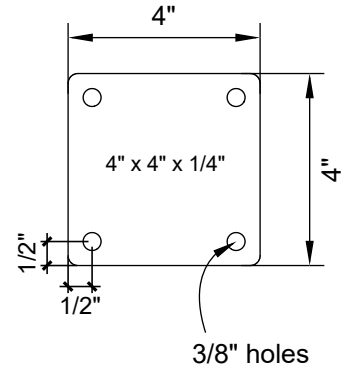


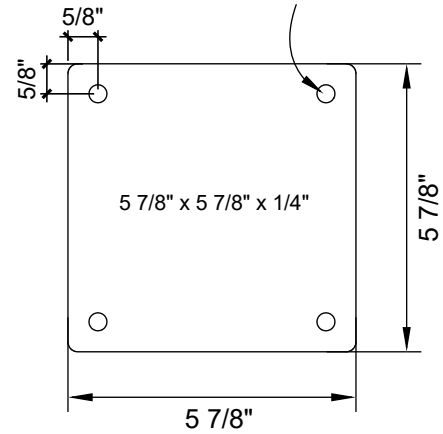
1 3/4", 2 1/2", 4" Post Connection to Concrete Surface

Residential installation only. Commercial applications may differ.
Always check with local building codes prior to purchasing and installing this product.

1 3/4" & 2 1/2" Post
Baseplate Detail



4" Post
Baseplate Detail

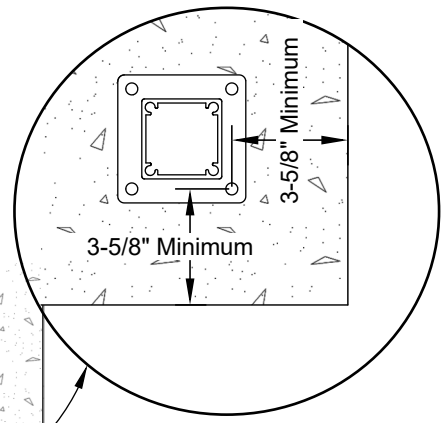
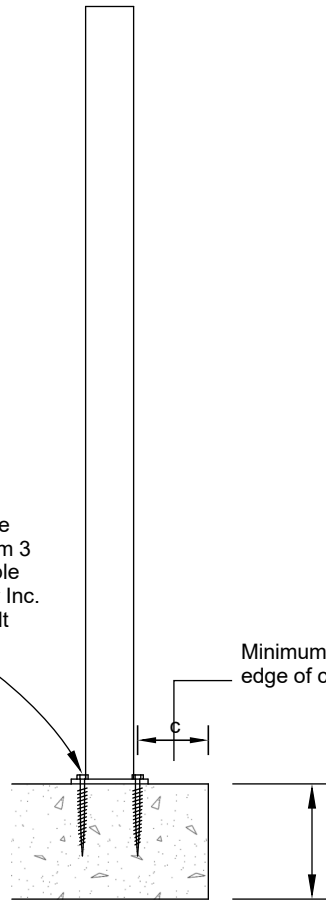


4 x 3/8" Simpson Strong Tie
Titen HD Anchors (minimum 3
3/4" embedment) Acceptable
alternative Power Fastener Inc.
4 x 3/8" Carbon Wedge Bolt
(OT) (minimum 3 3/4"
embedment)

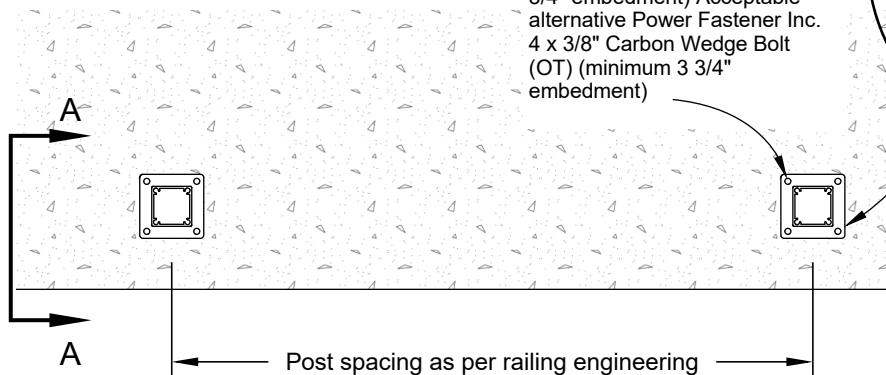
Minimum 3 5/8" from
edge of concrete

Normal weight concrete
f_c >= 3000 psi
minimum 5"

Section A-A



4 x 3/8" Simpson Strong Tie
Titen HD Anchors (minimum 3
3/4" embedment) Acceptable
alternative Power Fastener Inc.
4 x 3/8" Carbon Wedge Bolt
(OT) (minimum 3 3/4"
embedment)



A DIVISION OF CENDEK RAILINGS LTD.

9685 Agur St. Summerland B.C. V0H 1Z2
Phone 778-516-6250 Fax 778-516-6003 Toll Free 1-888-493-1103