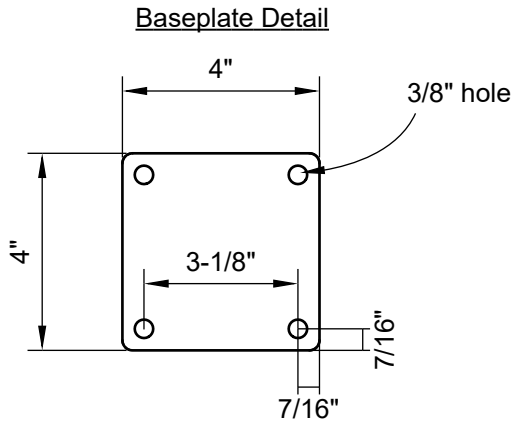
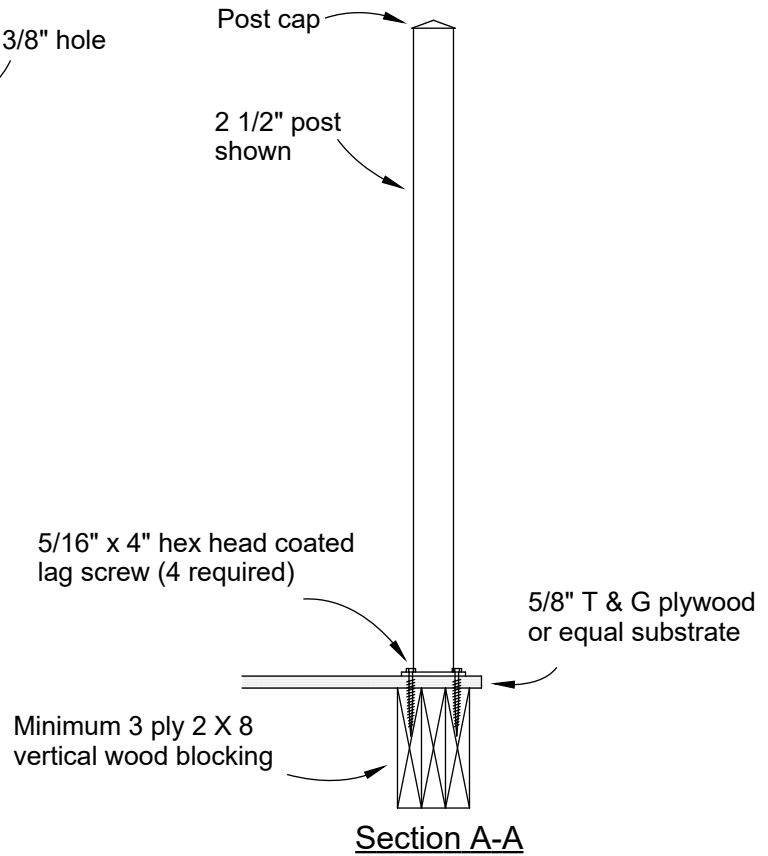


Century 2 1/2" & 1 3/4" Post Connection Detail Surface Mount

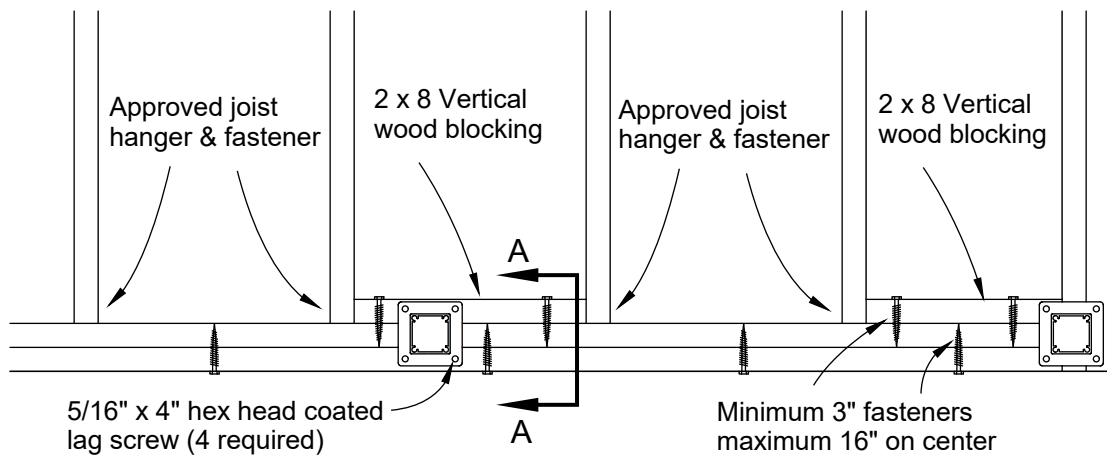
Residential installation only. Commercial applications may differ.
Always check with local building codes prior to purchasing and installing this product.



Typical Post Installation using Vertical Blocking



Framing Detail



A DIVISION OF CENDEK RAILINGS LTD.

9685 Agur St. Summerland B.C. V0H 1Z2
Phone 778-516-6250 Fax 778-516-6003 Toll Free 1-888-493-1103