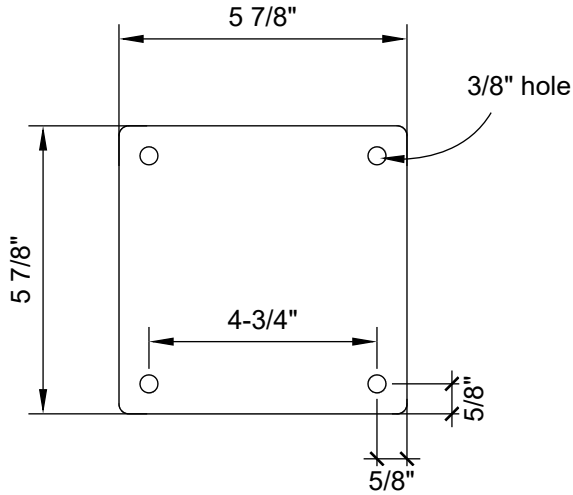


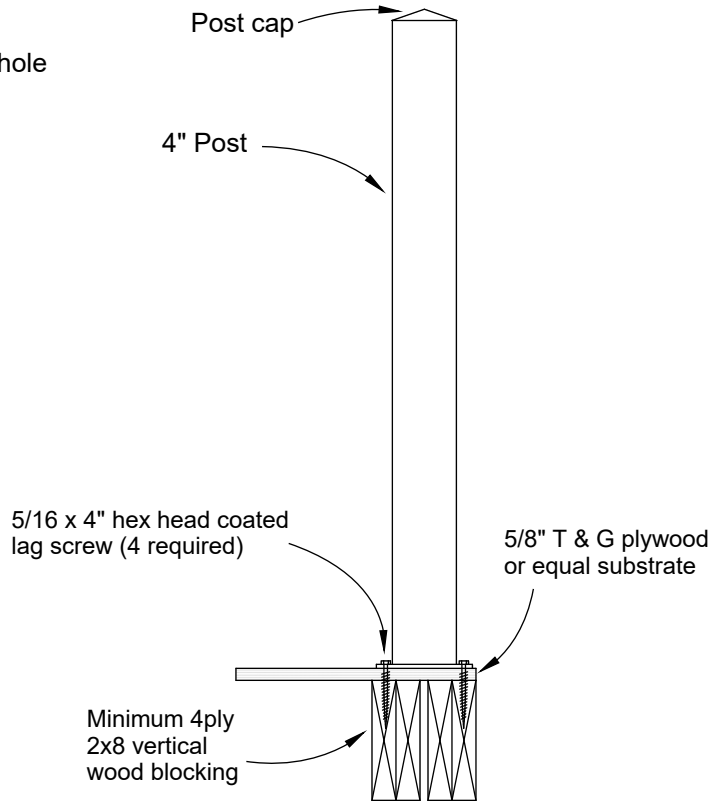
# Century 4" Post Connection Detail Surface Mount

Residential installation only. Commercial applications may differ.  
Always check with local building codes prior to purchasing and installing this product.

### Baseplate Detail

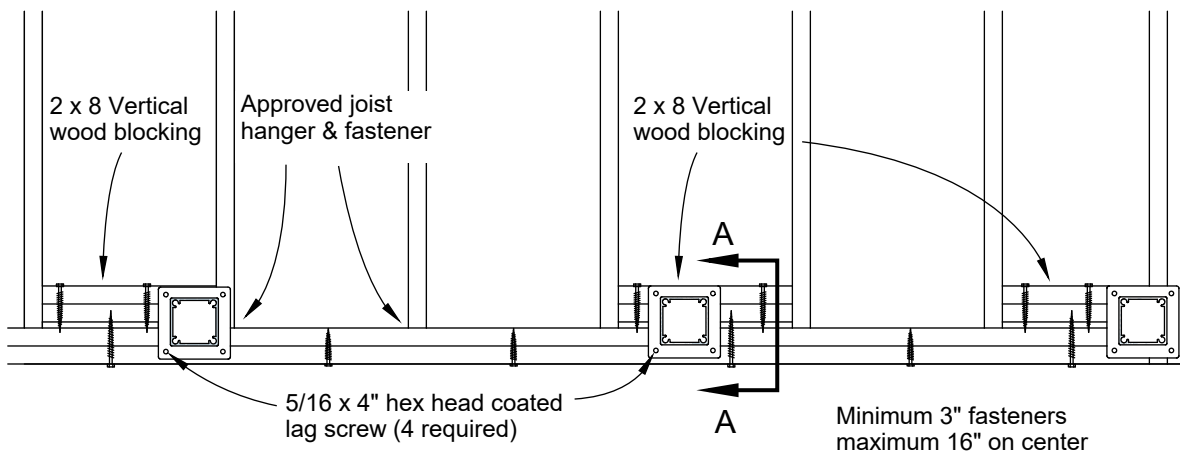


### Typical Post Installation using Vertical Blocking



### Framing Detail

### Section A-A



A DIVISION OF CENDEK RAILINGS LTD.

9685 Agur St. Summerland B.C. V0H 1Z2  
Phone 778-516-6250 Fax 778-516-6003 Toll Free 1-888-493-1103